



Slider M50 Flex
Slider L70 Flex

SALICE



Slider M50 Flex

Slider M50 Flex



Slider M50 Flex is the coplanar system for doors weighing up to 50 kg which is designed to be cut to length. Thanks to the exclusive patented design of the Slider series, door movement and cushioned opening and closing are intuitive, smooth and silent. **Slider M50 Flex** also offers extreme flexibility: the length of mechanism can be adjusted to fit any cabinet by simply cutting the track as required.

Slider M50 Flex is the new addition to the coplanar range and, with just a small range of components, it confers the freedom to tailor the mechanism to suit any piece of furniture to perfection.



Slider M50 Flex



Technical information

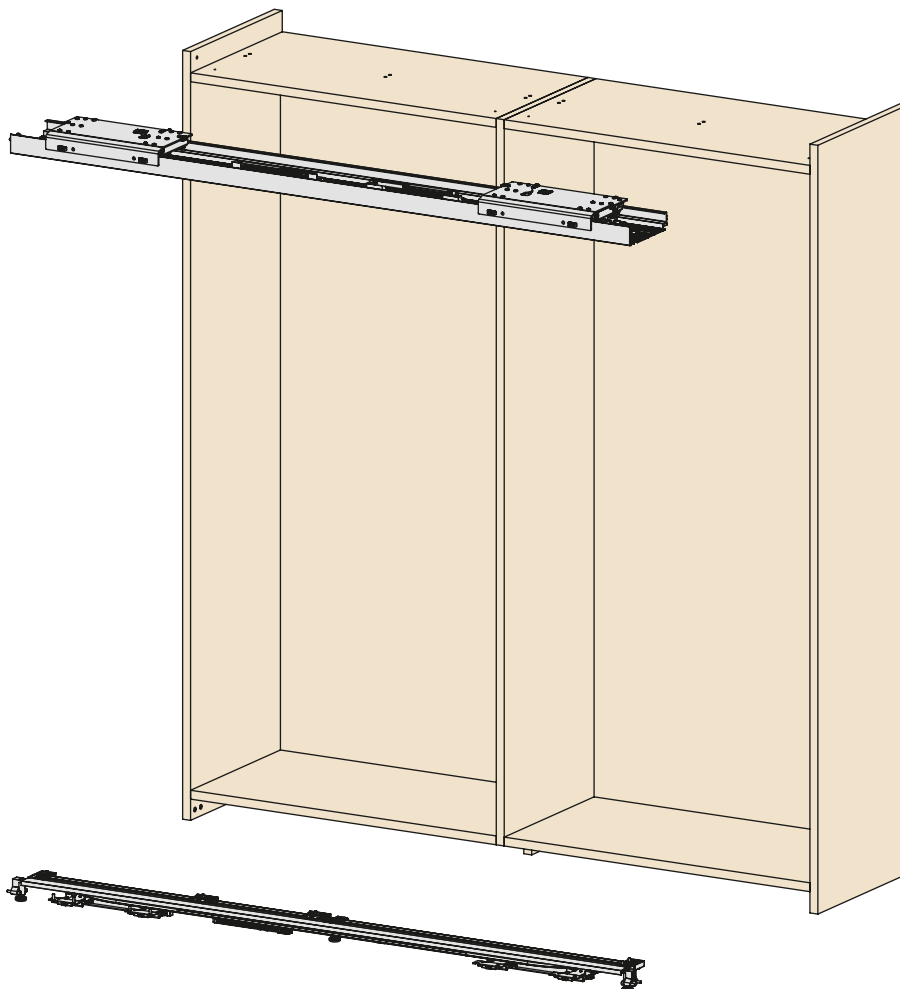
Coplanar two-door cushioned sliding system with customisable track length
- capacity 50 kg per door.

Door dimensions:

- Maximum weight for each door 50 kg (evenly distributed).
- Width: - minimum 800 mm;
- maximum 1600 mm.
- Height: - maximum 2700 mm.
- Thickness: - minimum 18 mm;
- maximum with handle 40 mm.
- Height from the ground:
- 33 mm.
- Material: a) wood or derived material;
b) glass with metal frame.

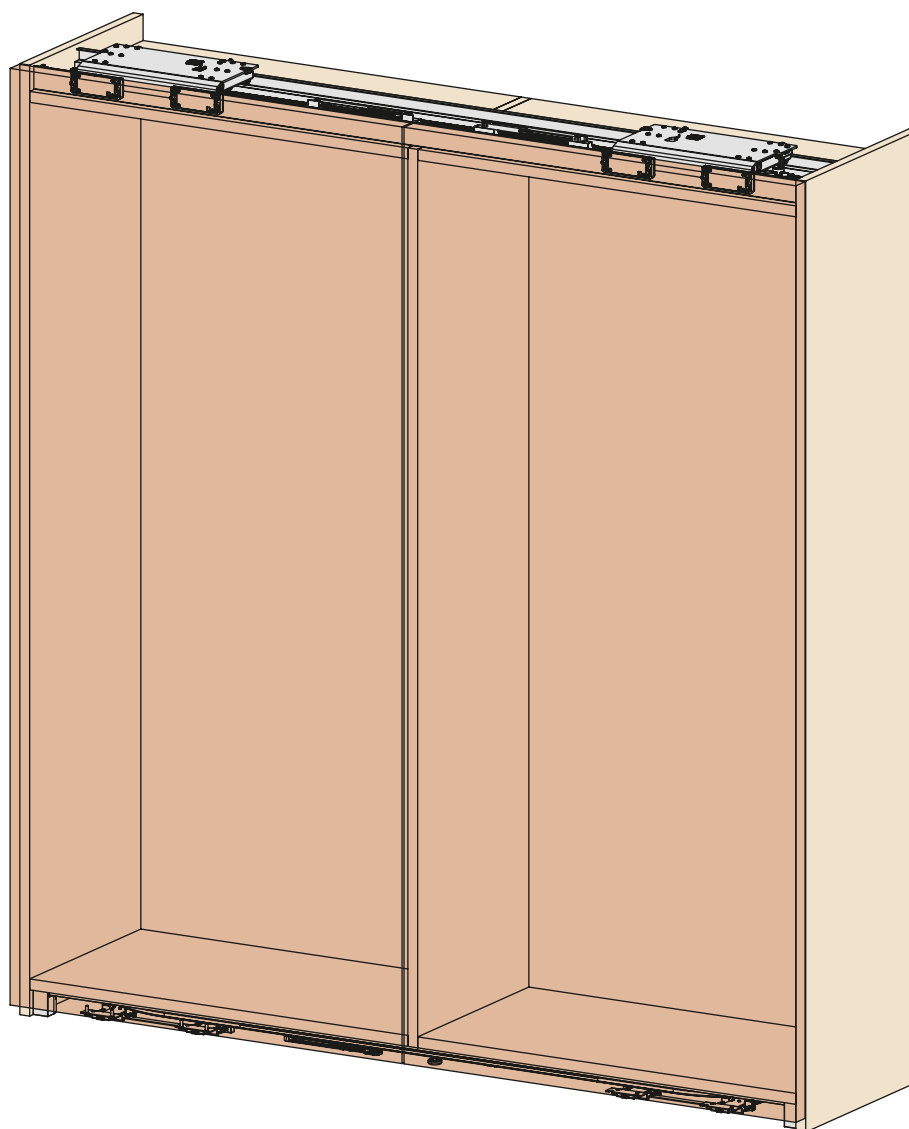
Door adjustment:

- vertical ± 5 mm
- horizontal $\pm 3,5$ mm
- front: - upper ± 3 mm
- lower ± 3 mm

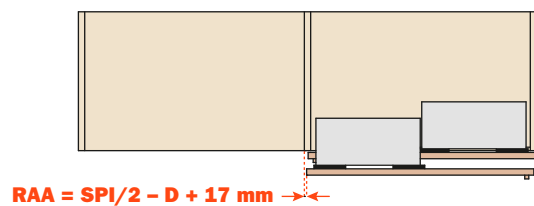
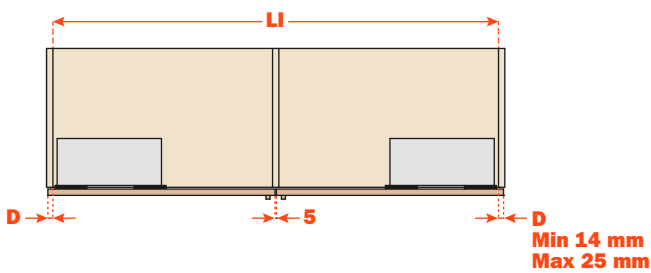
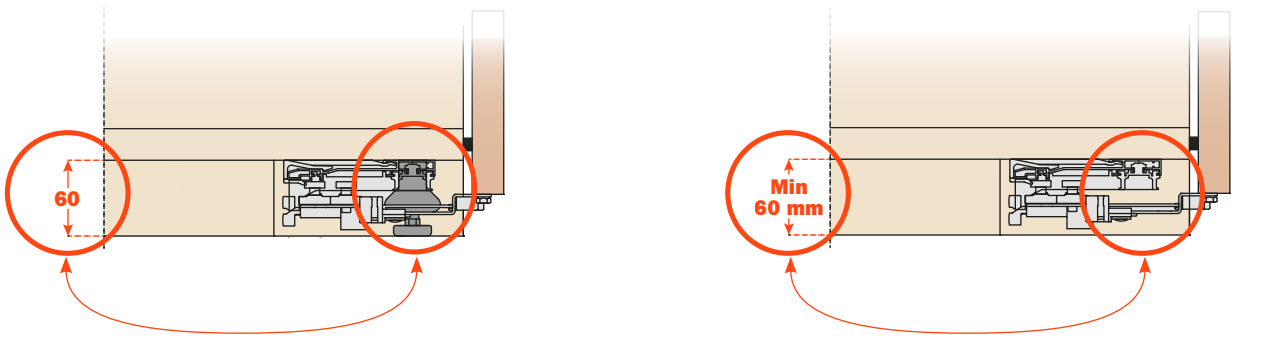
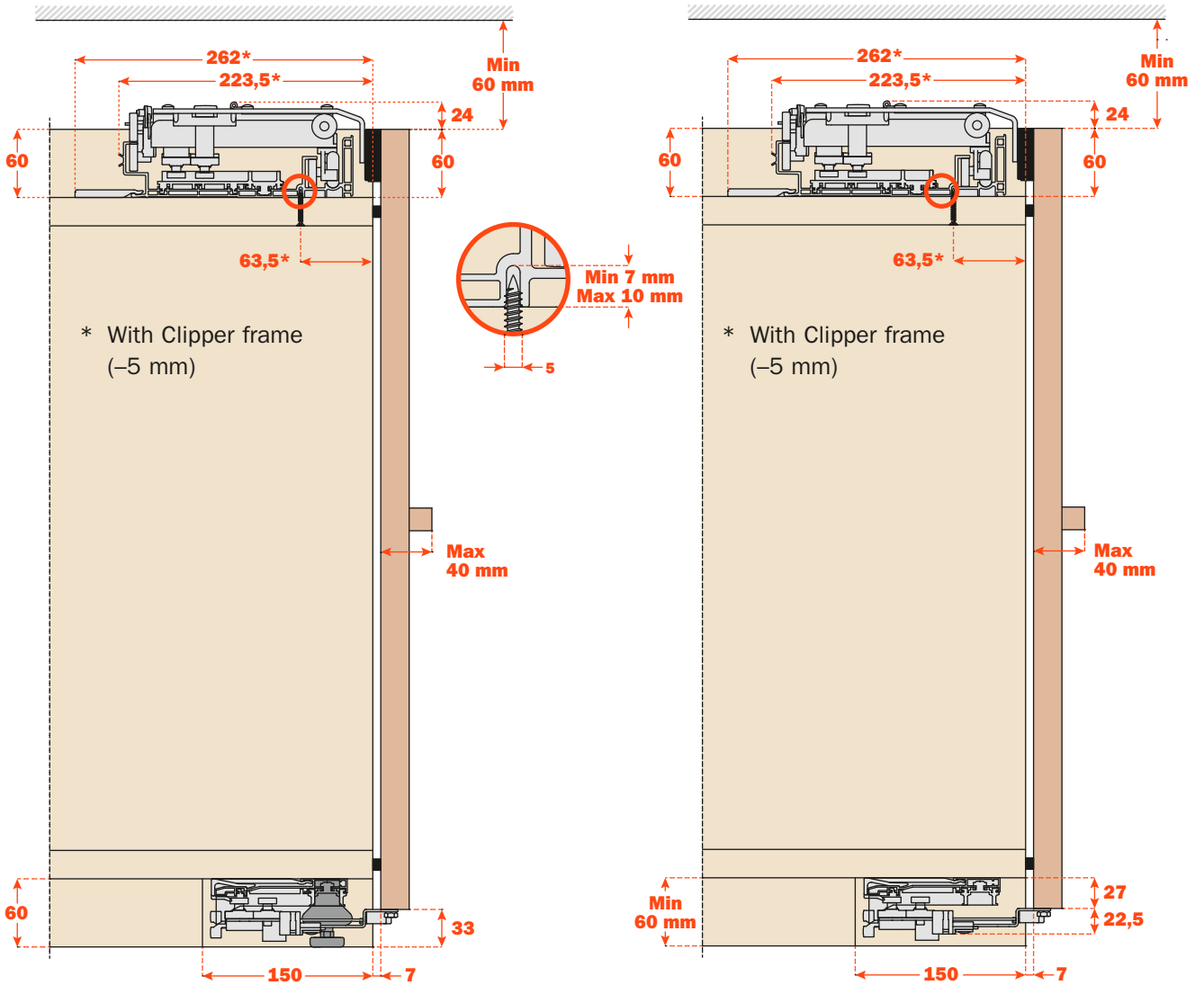


Key feature

- Very easy to assemble.
- Extremely easy to personalise the track length.
- Super-smooth cushioned opening and closing
- High reliability, tested to 100,000 cycles.

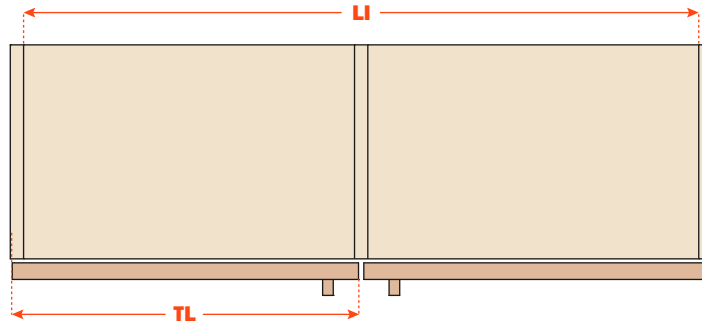


Slider M50 Flex - Types of assembly

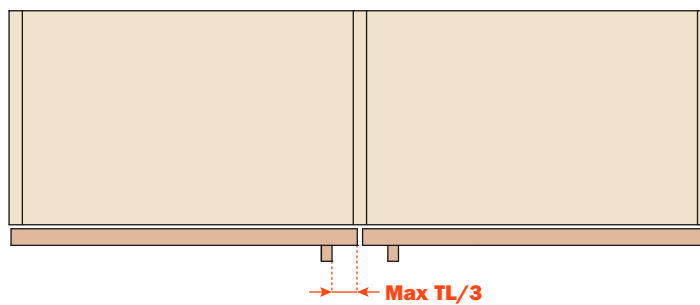


How to order

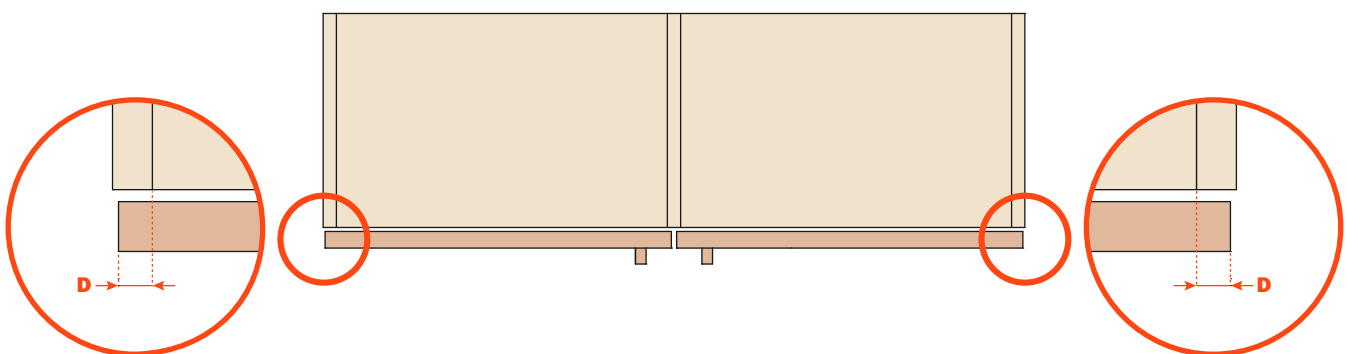
Slider M50 Flex is a flexible system that can be adapted to the internal width of the unit (**LI**) with a minimum of 1531 mm to a maximum of 3200 mm.



The handle should be placed close to the leading edge of the door, or at a maximum distance of one third of its width (**TL**).

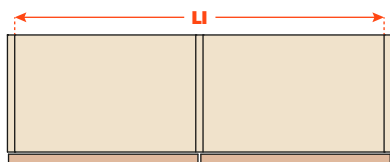


The minimum permitted overlap (**D**) is 14 mm; maximum 25 mm.



Slider M50 Flex - How to order

A solution for a whole range of applications that requires the customer to measure and cut aluminium and PVC profiles and to assemble the mechanism. Depending on the internal width of the unit (**LI**), the mechanism is put together using a carriage kit **1** and a profile kit **2**.



		LI (mm)			
		1531÷1930	1931÷2330	2331÷2730	2731÷3200
1	VE51KIT0101	●			
	VE51KIT0102		●		
	VE51KIT0103			●	
	VE51KIT0104				●
2	VE51KIT0201	●	●		
	VE51KIT0202			●	●

		(kg)	(m ³)	(mm)
		1	VE51KIT0101	12,7
VE51KIT0102	14,4		0,06	600 x 400 x 250
VE51KIT0103	16,0		0,07	700 x 400 x 250
VE51KIT0104	17,7		0,08	800 x 400 x 250
2	VE51KIT0201	12,0	0,062	2400 x 260 x 100
	VE51KIT0202	16,0	0,085	3250 x 260 x 100



Slider L70 Flex

Slider L70 Flex



Slider L70 Flex is the coplanar system for cabinets with doors weighing up to 70 kg designed to be cut to measure. Thanks to the exclusive patented design of the Slider series, door movement and cushioned opening and closing are intuitive, smooth and silent.

Slider L70 Flex also offers extreme flexibility: the length of mechanism can be adjusted to fit any cabinet by simply cutting the track as required.

Slider L70 Flex is the new addition to the coplanar range and, with just a small range of components, it confers the freedom to tailor the mechanism to suit any piece of furniture to perfection.



Slider L70 Flex



Technical information

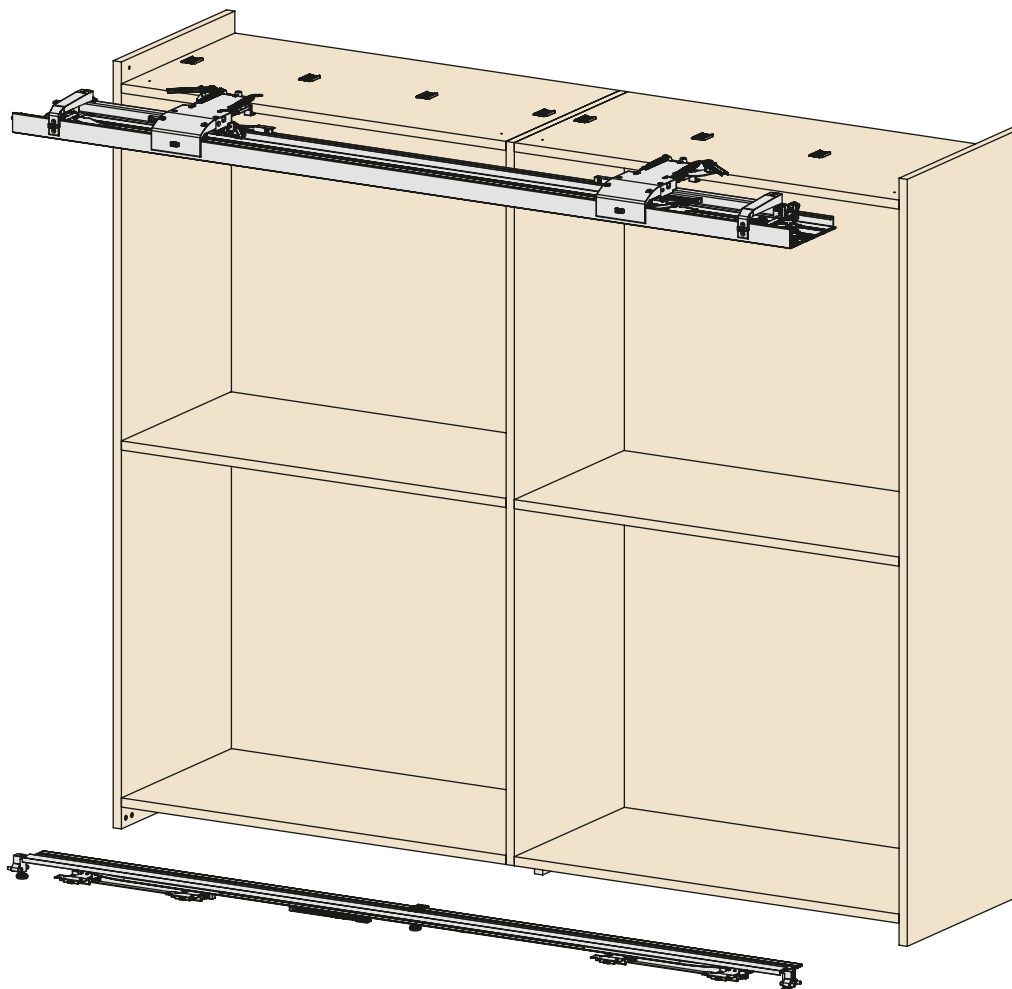
Coplanar two-door cushioned sliding system with customisable track length
- capacity 70 kg per door.

Door dimensions:

- Maximum weight for each door 70 kg (evenly distributed).
- Width: - minimum 900 mm;
- maximum 1700 mm.
- Height: - maximum 2700 mm.
- Thickness: - minimum 18 mm;
- maximum 35 mm;
- maximum with handle 45 mm.
- Height from the ground: - 33 mm.
- Material: a) wood or derived material;
b) glass with metal frame.

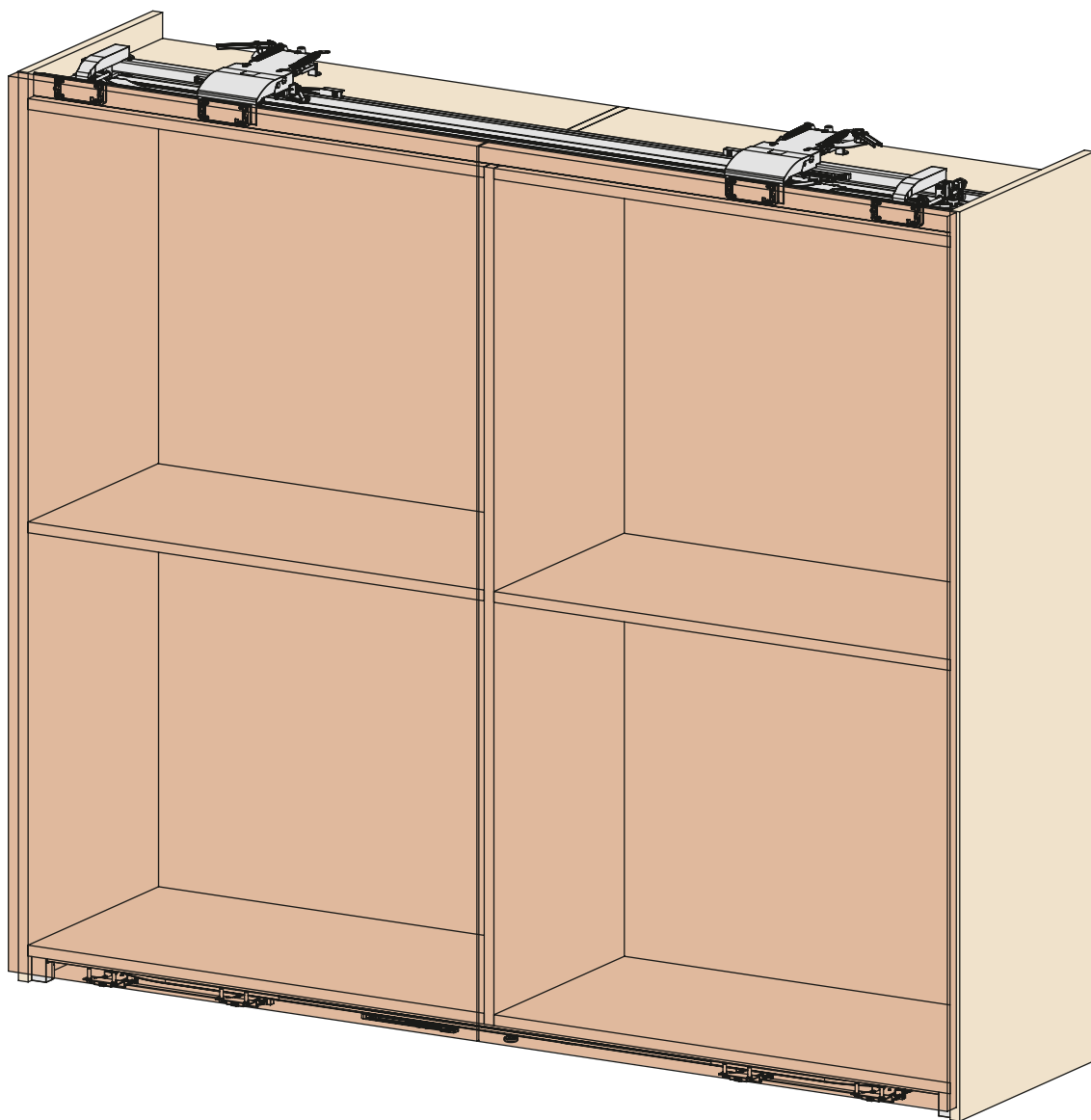
Door adjustment:

- vertical ± 5 mm
- horizontal $\pm 3,5$ mm
- front: - upper ± 4 mm
- lower ± 3 mm

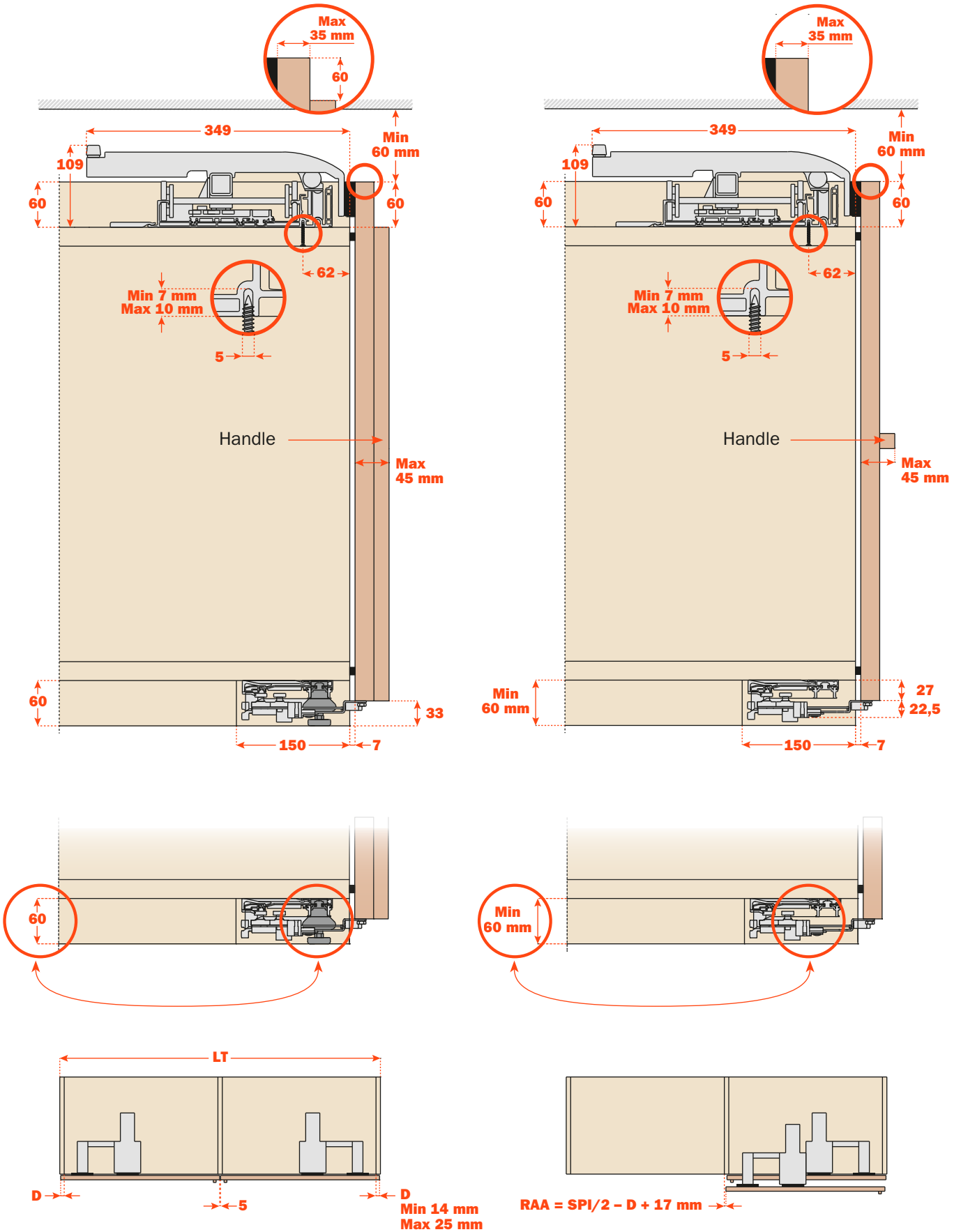


Key feature

- Very easy to assemble.
- Extremely easy to personalise the track length.
- Super-smooth cushioned opening and closing
- High reliability, tested to 100,000 cycles.

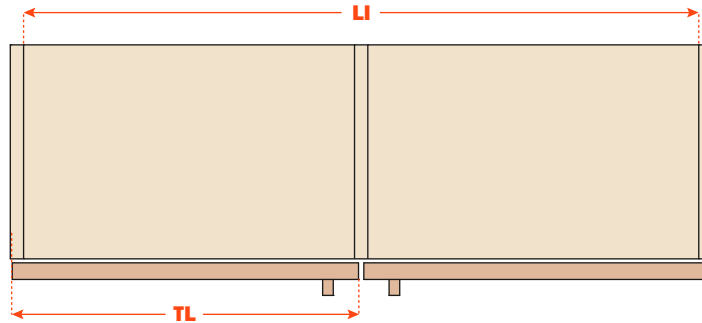


Slider L70 Flex - Types of assembly

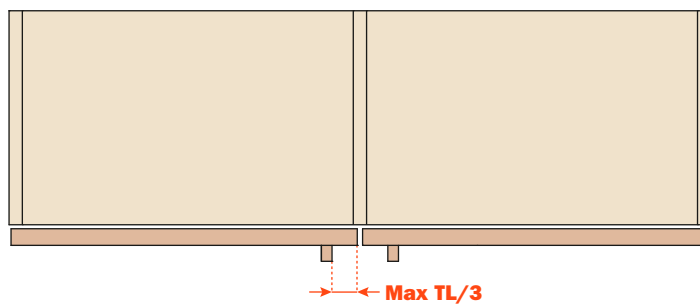


How to order

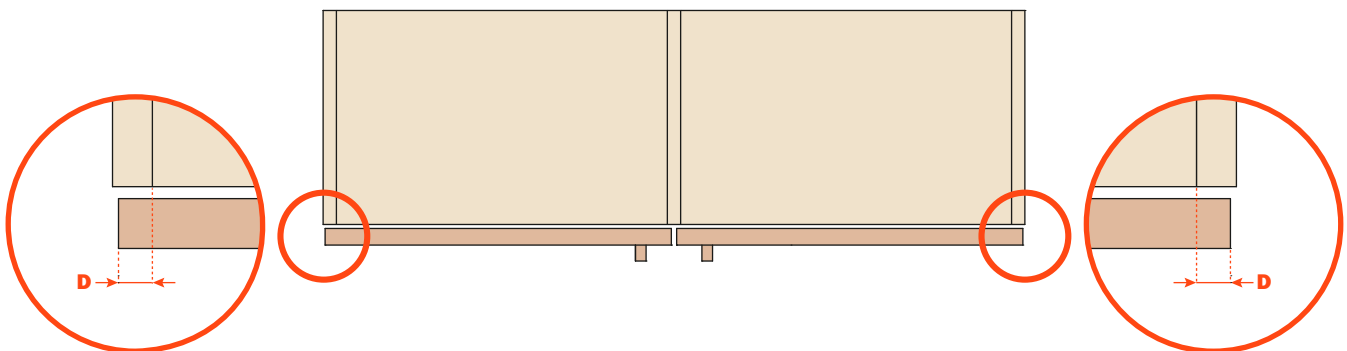
Slider L70 Flex is a flexible system that can be adapted to the internal width of the unit (**LI**) with a minimum of 1731 mm to a maximum of 3400 mm.



The handle should be placed close to the leading edge of the door, or at a maximum distance of one third of its width (**TL**).

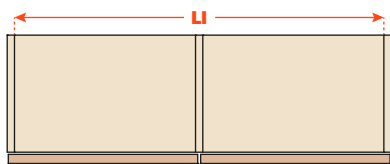


The minimum permitted overlap (**D**) is 14 mm; maximum 25 mm.



Slider L70 Flex - How to order

A solution for a whole range of applications that requires the customer to measure and cut aluminium and PVC profiles and to assemble the mechanism. Depending on the internal width of the unit (**LI**), the mechanism is put together using a carriage kit **1** and a profile kit **2**.



		LI (mm)			
		1731÷2130	2131÷2530	2531÷2930	2931÷3400
1	VE30KIT0101	●			
	VE30KIT0102		●		
	VE30KIT0103			●	
	VE30KIT0104				●
2	VE30KIT0201	●	●		
	VE30KIT0202			●	●

		(kg)	(m ³)	(mm)
		1	VE30KIT0101	14,5
VE30KIT0102	15,5		0,102	850 X 400 X 300
VE30KIT0103	16,5		0,114	950 X 400 X 300
VE30KIT0104	17,5		0,126	1050 X 400 X 300
2	VE30KIT0201	15,0	0,078	2600 X 300 X 100
	VE30KIT0202	20,0	0,104	3450 X 300 X 100

ARTURO SALICE S.p.A.

VIA PROVINCIALE NOVEDRATESE, 10
22060 NOVEDRATE (COMO) ITALIA
TEL. 031 790424 - FAX 031 791508
info.salice@salice.com - www.salice.com

DEUTSCHE SALICE GMBH

RUDOLF DIESEL STR. 10
POSTFACH 1154
74382 NECKARWESTHEIM
TEL. 07133 9807-0
FAX. 07133 9807-16
info.salice@deutschesalice.de
www.salice.com

DEUTSCHE SALICE GMBH

VERKAUFSBÜRO NORD
RINGSTRASSE 36/A30 CENTER
32584 LÖHNE
TEL. 05731 15608-0
FAX. 05731 15608-10
vknord@deutschesalice.de
www.salice.com

SALICE UK LTD.

KINGFISHER WAY
HINCHINGBROOKE BUSINESS PARK
HUNTINGDON CAMBS PE 29 6FN
TEL. 01480 413831
FAX. 01480 451489
info.salice@saliceuk.co.uk
www.salice.com

BORTOLUZZI SISTEMI S.p.A.

VIA CADUTI 14 SETTEMBRE 1944, 45
32100 BELLUNO ITALIA
TEL. 0437 930866 - FAX 0437 931442
info@bortoluzzi.com - www.bortoluzzi.com

SALICE FRANCE S.A.R.L.

285 RUE DE GOA ZAC LES 3 MOULINS
06600 ANTIBES
TEL. 0493 330069
FAX. 0493 330141
info.salice@salicefrance.com
www.salice.com

SALICE ESPAÑA, S.L.U.

CALLE COPÉRNICO, 11
POLÍGONO INDUSTRIAL COLL DE LA MANYA
08403 GRANOLLERS (BARCELONA)
TEL. 938 45 88 61
FAX 938 49 11 97
info.salice@saliceespana.es
www.salice.com

SALICE PORTUGAL UNIP. LDA

VIA ROTA DOS MÓVEIS I n.399
4585-325 GANDRA-PAREDES (DISTRITO PORTO)
TEL. 00351 224 154 221
info@saliceportugal.pt
www.salice.com

SALICE CHINA (SHANGHAI) CO. LTD.

1st FLOOR, B1 BLDG 928 MINGZHU ROAD
XUJING, QINGPU DISTRICT
SHANGHAI 201702 - CHINA
TEL. 021 3988 9880
FAX. 021 3988 9882
info.salice@salicechina.com
www.salicechina.com

SALICE INDIA PVT. LTD.

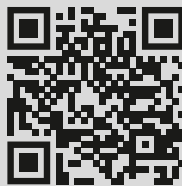
1001 & 1002, 10TH FLOOR,
CENTRUM, PLOT NO. C-3,
OPP. WAGLE PRABHAG SAMITI OFFICE,
MIDC AREA, WAGLE INDUSTRIAL ESTATE,
THANE - 400604, MAHARASHTRA
TEL. 022 20812050
info@saliceindia.com
www.salice.com

SALICE CANADA INC.

3500 RIDGEWAY DRIVE,
UNIT#1
MISSISSAUGA, ONTARIO, L5L 0B4
TEL. 905 820 8787
FAX. 905 820 7226
info.salice@salicecanada.com
www.salicecanada.com

SALICE AMERICA INC.

2123 CROWN CENTRE DRIVE
CHARLOTTE NC. 28227
TEL. 704 841 7810
FAX. 704 841 7808
info.salice@saliceamerica.com
www.saliceamerica.com



Digital contents

We reserve the right to change technical specifications without notice.

